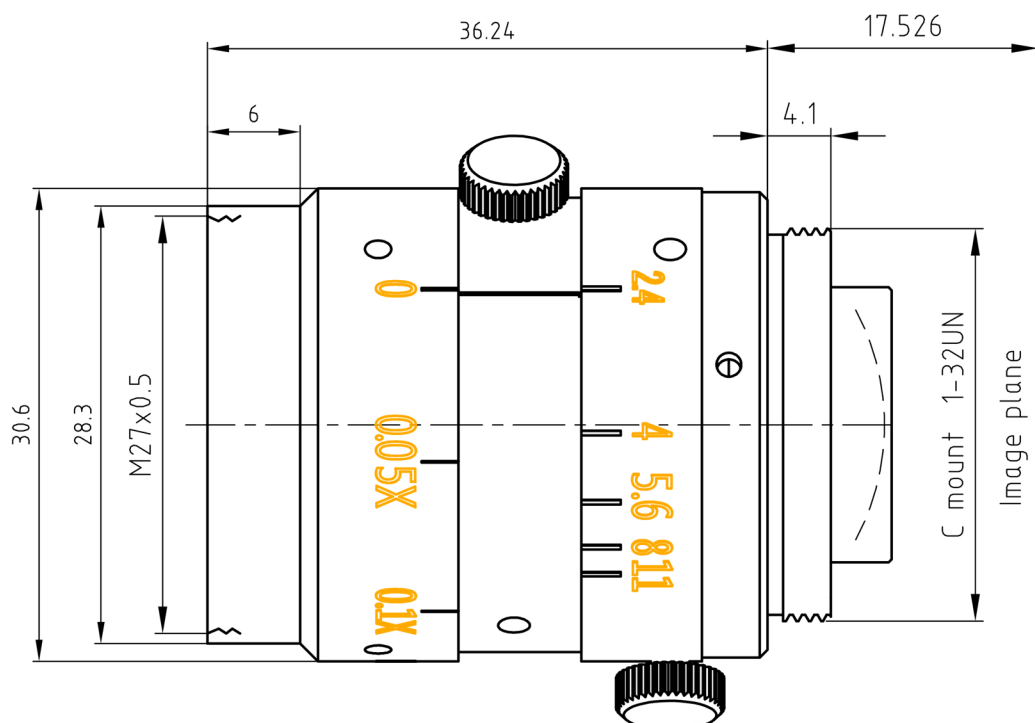


BL2.4/35-11

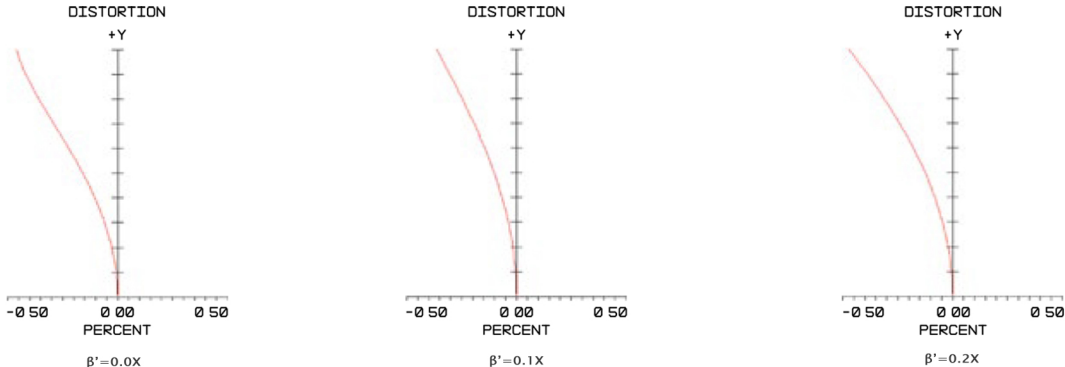
Specifications

Focal Length	35mm	Mount	C-Mount
Image Circle	11mm	MaxD	Φ30.6
Max. F#	F2.4	Filter	M27×0.5
Magnification	0x-0.2x	Σd	36.24mm
Spectrum	420nm - 680nm	Part Number	B110135
Working Distance	156mm-∞		
Resolution	3.45 μm		

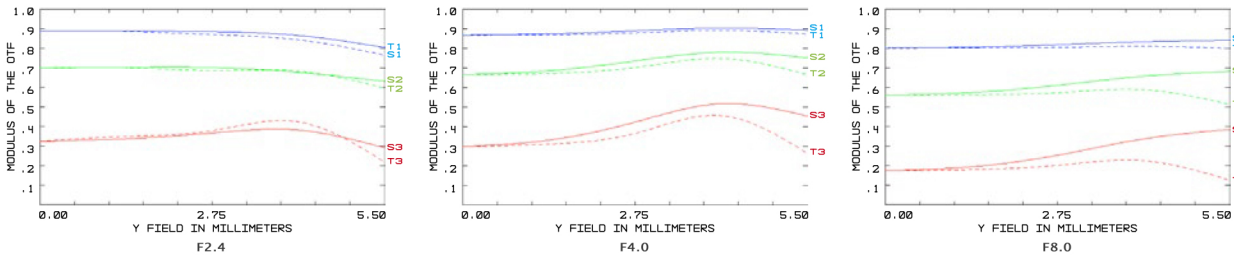
Mechanical Drawing



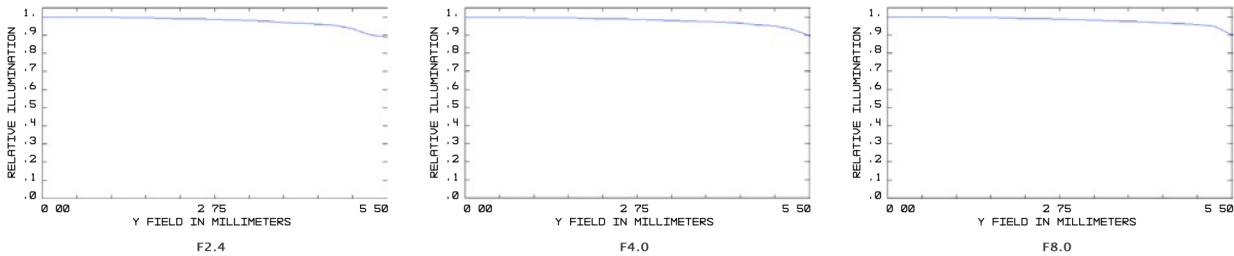
Distortion



Modulation to Relative Image Height



Relative Illumination



Transmittance

